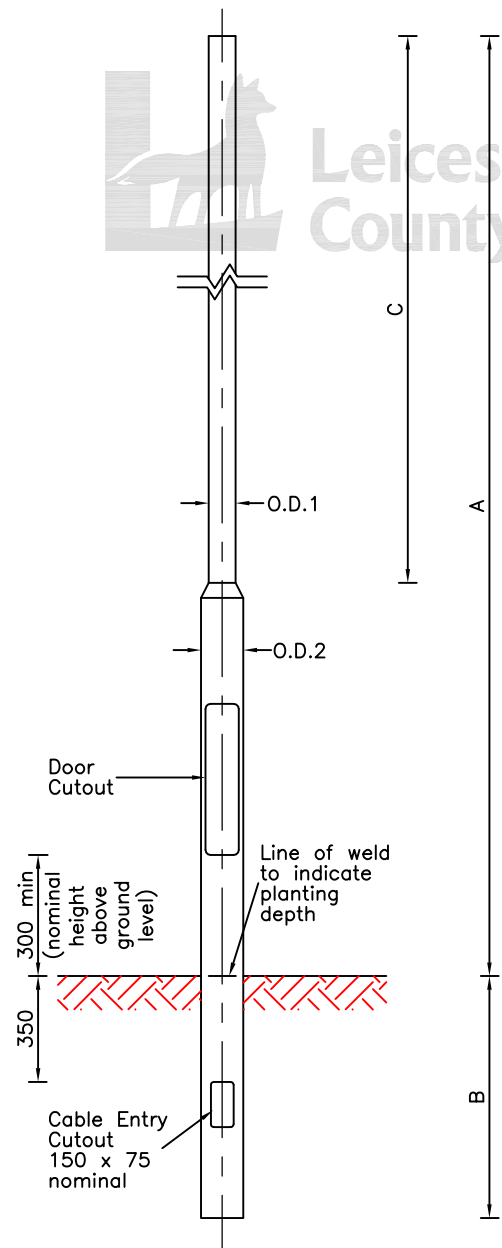


Leicestershire  
County Council

NOTES:  
1. All dimensions are in millimetres unless otherwise shown.



O.D.1	O.D.2	DIMENSION A	DIMENSION B	DIMENSION C	MINIMUM DOOR OPENING WIDTH	DOOR OPENING HEIGHT
76	140	3950	800	2850	110	500
89	140	4200	800	3100	110	500



Leicestershire  
County Council

©Crown copyright 2007. All rights reserved. Use of this image is limited to viewing on-line and printing one copy. Leicestershire County Council. 100019271.



DEPARTMENT OF HIGHWAYS  
TRANSPORTATION AND  
WASTE MANAGEMENT



TITLE: STANDARD DRAWING TRAFFIC SIGNS  
DETAILS OF TUBULAR STEEL LARGE BASED TRAFFIC SIGN POST

DRAWING NUMBER	DATE	Rev	Date	Notes on Revision
SD/12/14	DECEMBER 2008			
AUTOCAD REF	SCALE			
K:\GENERAL\ID9997\STDDRG\SD1214	NOT TO SCALE			