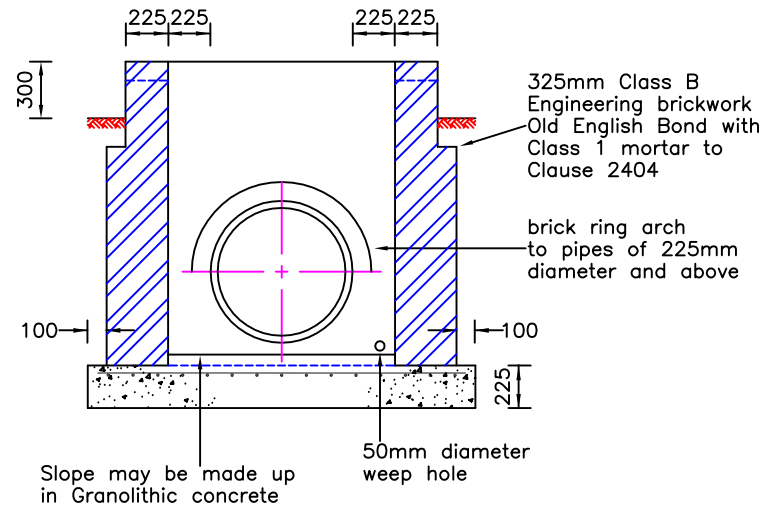


SECTIONAL ELEVATION



SECTION A-A

NOTES:

1. All dimensions are in millimetres unless otherwise stated.
2. The outfall pipe should discharge obliquely to the watercourse in the direction of flow (ideally 45°) and the wing walls splayed at appropriate angles to suit the location.
3. The outfall apron should be set 50 – 150mm above normal summer water level.
4. The headwall wingwalls should not project into the watercourse beyond the toe of the existing bank.
5. End bricks to be solid (not perforated) and secured with galvanised steel coping cramp.
6. Grilles to be provided and fixed on headwalls where specified or where appropriate in accordance with Drg No [SD/5/29-30](#).
7. Guardrails to be provided on headwalls where specified or appropriate.
8. Hot dip galvanised gabion mattress to be provided where necessary to protect the bed adjacent to the slab and on opposite bank.
9. A layout to suit the location shall be agreed on site by the Engineer and an agreed layout drawing submitted to the Engineer prior to commencing the headwall.
10. On main river work and other work subject to Environmental Agency, the design may need to be modified to meet the Agency's current Standards.