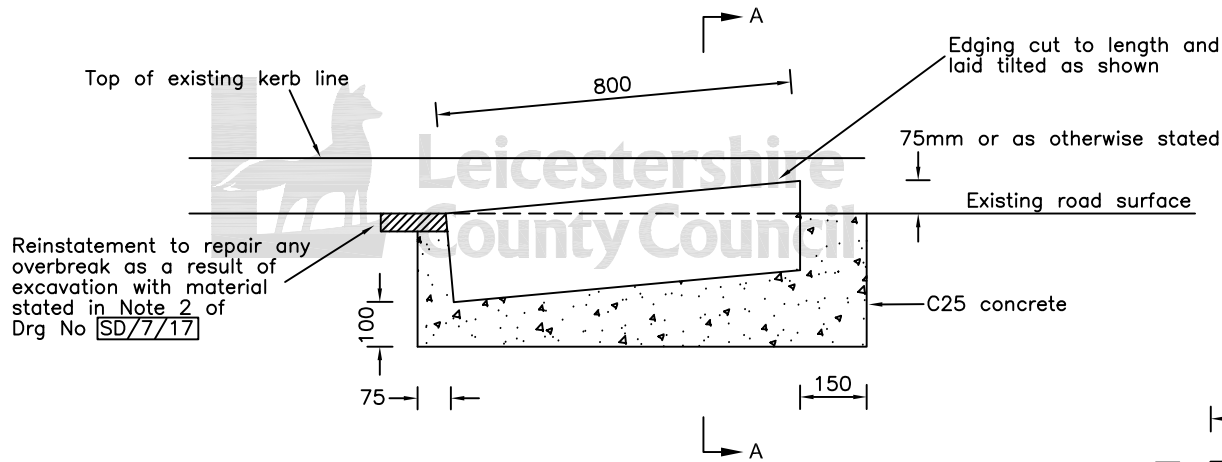
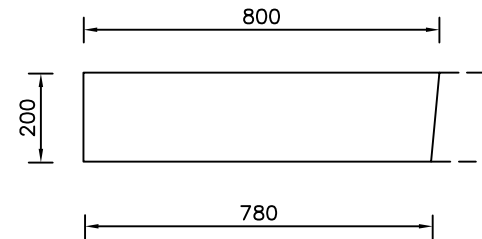


NOTES:

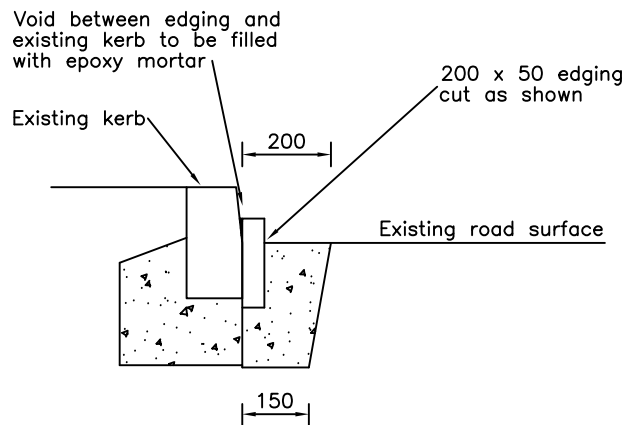
1. All dimensions are in millimetres unless otherwise stated.
2. Drawing to be read in conjunction with Drg Nos [SD/7/17](#) and [SD/7/18](#).



RAMP PROFILE EDGING



CUTTING ARRANGEMENTS FOR STANDARD EDGING



SECTION A - A



©Crown copyright 2007. All rights reserved. Use of this image is limited to viewing on-line and printing one copy. Leicestershire County Council. 100619271.

DRAWING NUMBER	DATE			
SD/7/19	MAY 2002			
AUTOCAD REF	SCALE			
K:\GENERAL\ID9997STDDRG\SD719	NOT TO SCALE	Rev	Date	Notes on Revision