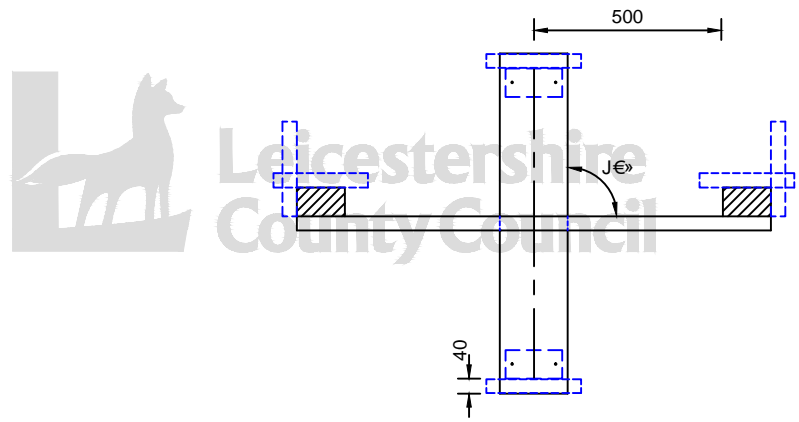
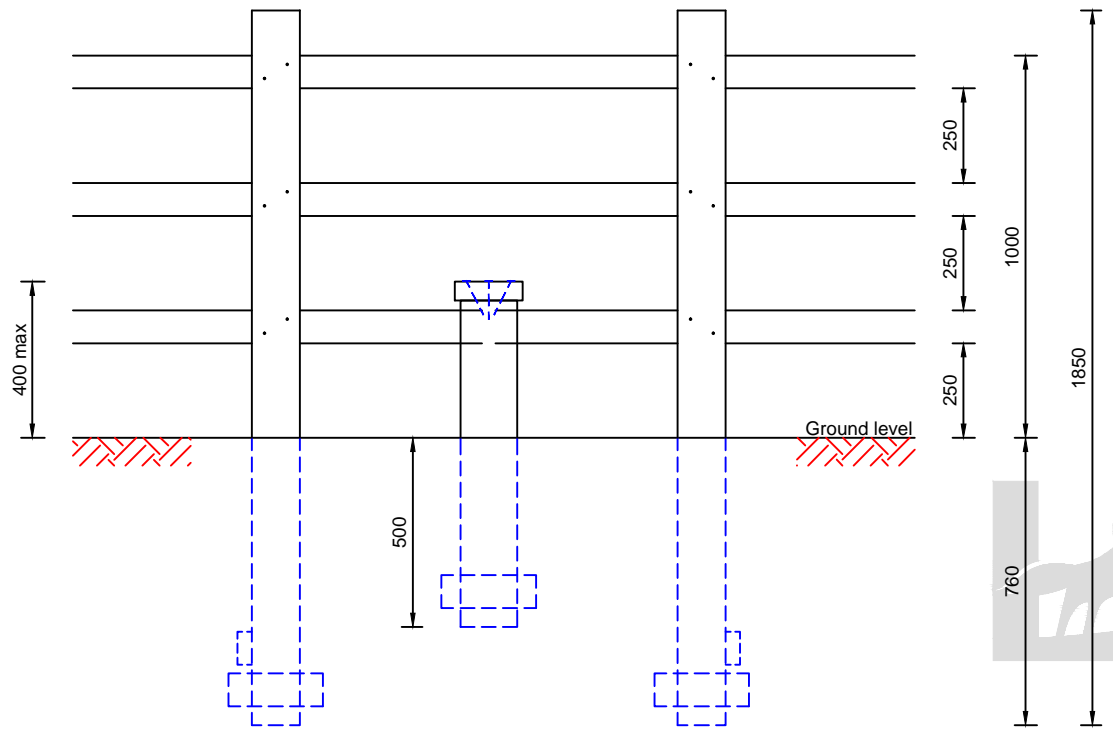


- NOTES:
1. All dimensions are in millimetres unless otherwise stated.
 2. Where construction of a stile has been specified, in all cases there should be extended into adjacent hedges or continued either side of the stile to fill gaps and make the structure stock-proof. Steps should be skew nailed to supports.
 3. Where existing structures require to be made stable, posts should be excavated to a depth of approximately 300mm and blocks of rubble should be added as wedges, the soil returned and compacted. Loose timber should be nailed down and the structure made stock-proof, if necessary, by addition of timber rails.
 4. Where a foot stool is specified to be constructed in a fence or stile, the dimensions and height above ground should be the same as that given in the drawing.
 5. Where a stile is specified to be constructed in a barbed wire fence or wire fence, two additional posts, to be placed at least 500mm from stile posts.
 6. Attach 2 x 250 long off-cut rail pieces to the bottom of the post using four 100mm nails, to anchor it. Post to be secured with rubble and soil compacted, unless otherwise specified.

PLAN



ELEVATION



DESCRIPTION	DIMENSIONS	NO
POSTS	127 x 76 x 1850	2
RAILS	38 x 87	3
FOOTSTOOL TREAD	50 x 180 x 900	1
FOOTSTOOL UPRIGHTS	75 x 150 x 890	2

©Crown copyright 2014. All rights reserved. Use of this image is limited to viewing on-line and printing one copy. Leicestershire County Council. 100019271.